

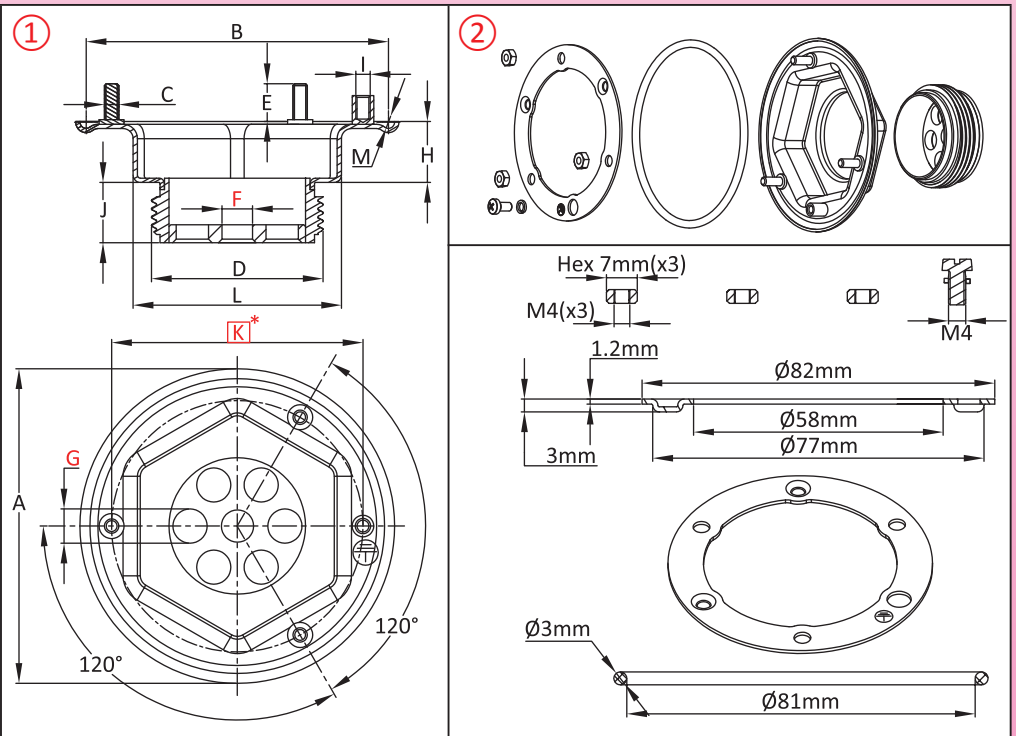
Stainless steel fitting with wide rotating flange, welded massive thread

Minimum Size	Maximum Size	Material	Type	Model
1" ½	M45x2	Stainless steel	- Big deep drawn flange - Massive welded thread	66R4 (304L) 66R8 (316L)

Compatible accessories	
<input checked="" type="checkbox"/> 66JF	
<input checked="" type="checkbox"/> 66JP	
<input checked="" type="checkbox"/> 66JR	
<input checked="" type="checkbox"/> 66NL	
<input checked="" type="checkbox"/> 66XF	
Compatible enclosures	
<input checked="" type="checkbox"/> Y309	<input checked="" type="checkbox"/> Y3J2
<input checked="" type="checkbox"/> Y310	<input checked="" type="checkbox"/> Y3M1
<input checked="" type="checkbox"/> Y3G1	<input checked="" type="checkbox"/> Y3P5
<input checked="" type="checkbox"/> Y3G2	<input checked="" type="checkbox"/> Y3S7
<input checked="" type="checkbox"/> Y3G3	<input checked="" type="checkbox"/> Y3SA
<input checked="" type="checkbox"/> Y3J1	



	1-1/2"	M45x2
A	Ø90	Ø90
B	Ø84	Ø84
C	M4(x3)	M4(x3)
D	1-1/2"	M45x2
E	8	8
F	Ø8.6(x0,x1) Ø10(x0,x1)	Ø8.6(x0,x1) Ø10(x0,x1)
G	Ø6(x2,x4,x6) Ø8(x2,x4,x6)	Ø6(x2,x4,x6) Ø8(x2,x4,x6)
H	13.5	13.5
I	M4	M4
J	20	20
K	Ø70	Ø70
L	Hex 58	Hex 58
M	Ø3	Ø3



Main references

Dimensions	Composition	Reference in AISI 304L	Reference in AISI 316L
1½"	①	66R4A3T*****0000	66R8A3T*****0000
1½"	①+②	66R4A3T*****0005	66R8A3T*****0005
M45x2	①	66R4MDT*****0000	66R8MDT*****0000
M45x2	①+②	66R4MDT*****0005	66R8MDT*****0005

Links

Page (.pdf)

Drawing 2D (.dwg)

Drawing 3D (.stp)

Specify dimensions and quantity of holes F and G.
Red dimensions inside rectangular frames are used for assembly on enclosures or on fittings.

